

1, 2 or 3 Layers: No. of Layers of Plasterboard to one side of frame (Fire side)

System Number	Lining Suffix	Fire Rating	Load Bearing Ability	Noise Control		Lining Requirement
				STC	Rw	
E1CBS15	-S13	15/-/-	LB	N/A	N/A	1 x 13mm Elephant Standard
E1CBS30	-F16	30/-/-	LB	N/A	N/A	1 x 16mm Elephant FireSmart
E2CBS30	-S20	30/-/-	LB	N/A	N/A	2 x 10mm Elephant Standard-Plus
E2CBS60	-M26	60/-/-	LB	N/A	N/A	2 x 13mm Elephant MultiSmart
E2CBS90	-F32	90/-/-	LB	N/A	N/A	2 x 16mm Elephant FireSmart
E3CBS120	-MF45	120/-/-	LB	N/A	N/A	1 x 13mm Elephant MultiSmart and 2 x 16mm Elephant FireSmart

**Scope**

The system options provided in the table above are a quick reference solution for fire protection of structural steel columns and beams. Specific Fire engineering designs are required for specific column and beam sizes and loading conditions.

**Steel Clip and Channel**

Attach the Rondo® Beam or Encasement Clip to column or beams at 600mm centres max. Then insert the Rondo® Furring Channel Track (Part 140) into the clips.

Framing members spaced at 600mm centres max to support the linings.

For columns or beams that are exposed on 3 sides use the Rondo® Perimeter Angle (Part NZ18) to allow for the fixing of the plasterboard. The perimeter angle is to be fixed to the wall or underside of floor at maximum 600mm centres with first fixing no more than 100mm from the ends.

**Plasterboard Lining (Fire Side)**

One, two or three layers of Elephant Plasterboard lining as per specified system above. All joints /edges for the first, second and third layers must be formed over the framing. The joints between subsequent layers must be offset by at least 300mm.

**Fixing of Linings**

**Fasteners**

System Number	Lining Suffix	Single Layer	2 <sup>nd</sup> Layer	3 <sup>rd</sup> Layer
		Self-Tapping Drywall Screws		
E1CBS15-S13	S13	13mm		—
		25 x 6g		
E1CBS30-F16	F16	16mm		—
		32 x 6g		
E2CBS30-S20	S20	10mm	10mm	—
		25 x 6g	32 x 6g	
E2CBS60-M26	M26	13mm	13mm	—
		25 x 6g	41 x 6g	
E2CBS90-F32	F32	16mm	16mm	—
		32 x 6g	51 x 7g	
E3CBS120-MF45	MF45	13mm	16mm	16mm
		25 x 6g	41 x 6g	63 x 8g

**Fastener Centres**

Fix each layer at 300mm centres maximum to framing. Place fasteners minimum 12mm from the sheet edge.

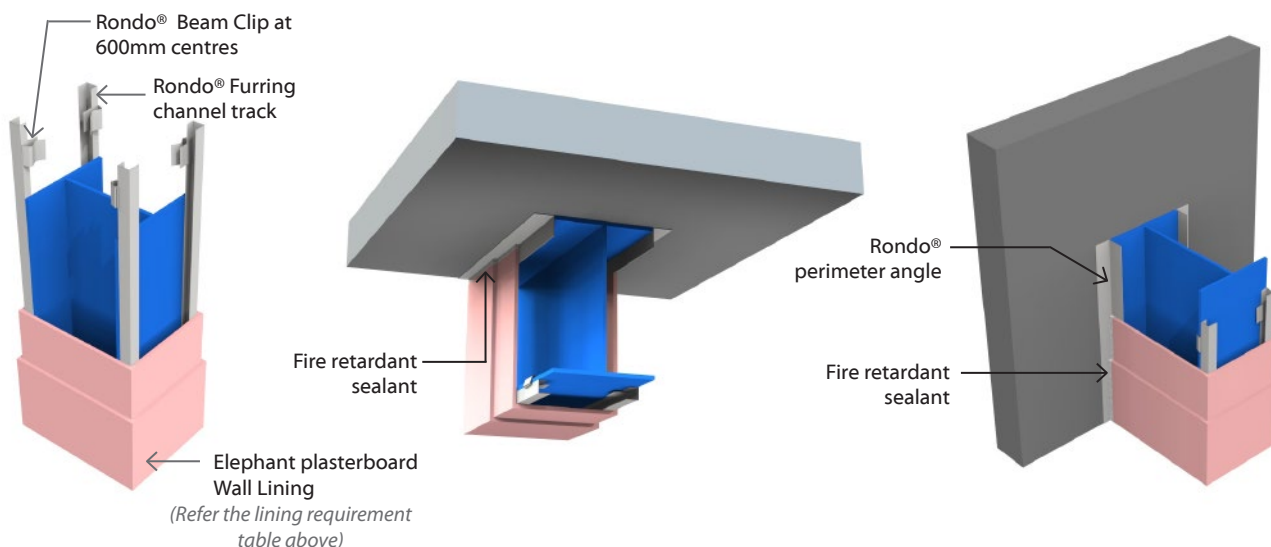
**Corner Protection**

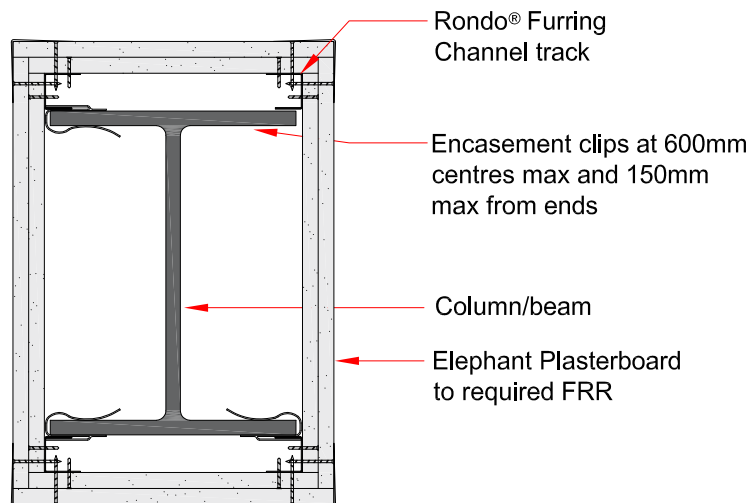
If required, external corners to be reinforced with external corner beads.

**Jointing**

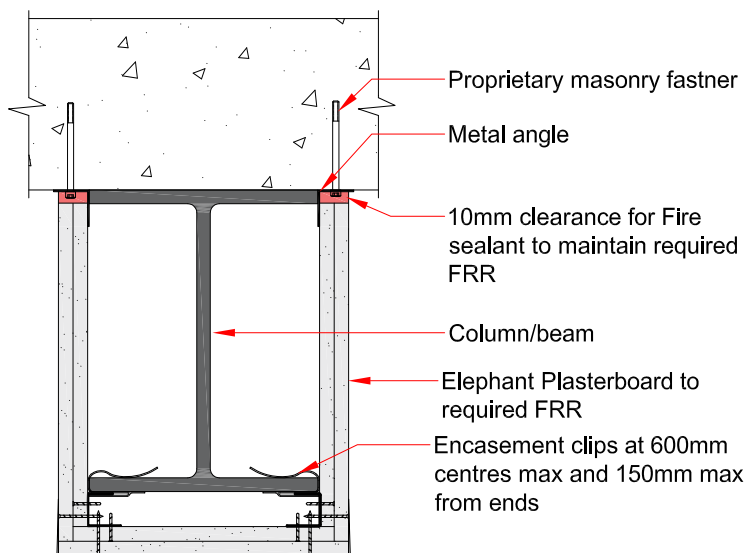
Inner Layers: Unstopped

Outer Layer: All fastener heads stopped and all sheet joints reinforced with paper jointing tape and stopped. All in accordance with Elephant Plasterboard Installation Guide.

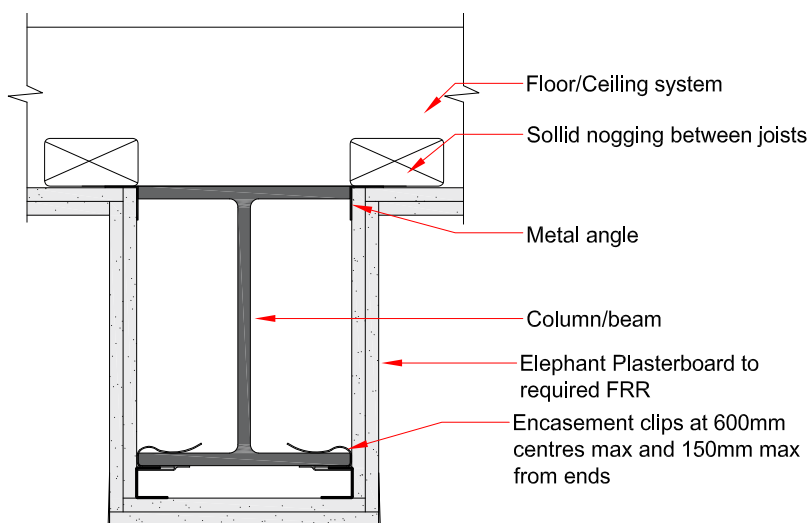




EFS-311



EFS-312



EFS-313

