



# EPB Plasterboard Steel Stud Bracing

May 2026

System Number	Lining Requirement	Min. Element Length (m)	BU/m		Minimum Panel Hold downs	Page
			Wind	Earth-quake		
ECS-H	10mm EPB® Standard Plasterboard on one side	0.4	65	60	10kN	2
		0.8	75	65		
		1.2	85	70		
ECSSH	10mm EPB® Standard Plasterboard on both side	0.4	80	90	12kN	2
		0.8	95	95		
		1.2	115	100		
ECM-H	10mm EPB BraceSmart® on one side	0.4	75	80	12kN	2
		0.8	95	90		
		1.2	115	95		
ECMPH	10mm EPB BraceSmart® on one side & 7mm D-D Plywood on the other	0.4	100	95	12kN	3
		0.8	115	110		
		1.2	130	120		

System Number	Lining Requirement	Min. Element Length (m)	BU/m		Minimum Panel Hold downs
			Wind	Earth-quake	
ECS-H	10mm EPB® Standard Plasterboard on one side	0.4	65	60	10kN
		0.8	75	65	
		1.2	85	70	
ECSSH	10mm EPB® Standard Plasterboard on both side	0.4	80	90	12kN
		0.8	95	95	
		1.2	115	100	
ECM-H	10mm EPB BraceSmart® on one side	0.4	75	80	12kN
		0.8	95	90	
		1.2	115	95	

**FRAMING**

NZBC B1: Structure  
 NZBC B2: Durability

Steel framing dimensions and height as determined by Specific Engineering Design. C Section studs shall have a minimum thickness of 0.75mm and minimum nominal depth of 90mm and 35mm wide flanges.

**BOTTOM PLATE FIXING**

**Timber Floor** – 5mm washer as shown below, fixed to timber floor using a 12mm x 100mm galvanised coach screw or 4 x 75mm Type 17 class 3 screws.

**Concrete Floor** – 5mm washer as shown below, fixed to concrete slab using a proprietary concrete anchor with a minimum uplift capacity (as listed in table above) take into consideration concrete slab thickness (internal walls) and edge distance (external walls).

**PLASTERBOARD WALL LININGS**

Refer Table at top of page

Vertical or horizontal fixing permitted. Use full height sheets where possible. Sheets shall be touch fitted

**FASTENERS**

32mm x 6g Drywall Screws

**FASTENING CENTRES**

**Perimeter of bracing element:** as per the diagram below

**Centre of sheets:**

Vertical Fixing – Fasteners at 300mm centres at sheet joints in tapered sheet edges in the field of the bracing elements

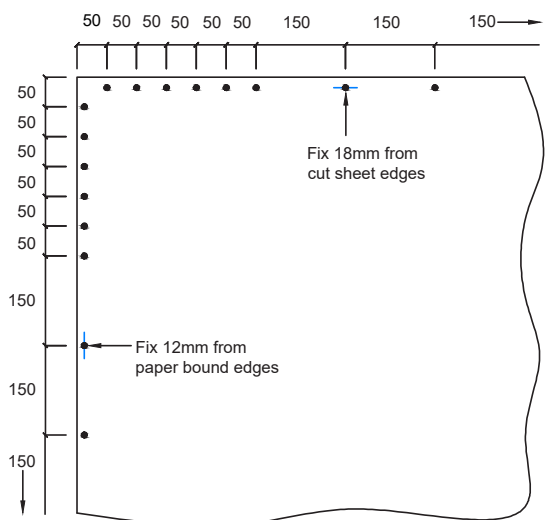
Horizontal Fixing – Place single fasteners in the tapered edge where sheets cross studs.

Use daubs of adhesive at 300mm centres to intermediate studs in the body of the sheets.

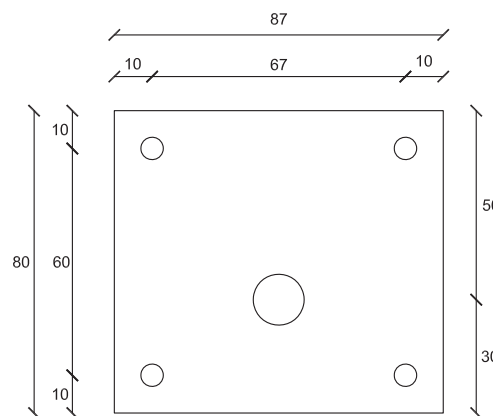
Place fasteners 12mm from paper bound edges and 18mm from cut edges.

**JOINTING**

All fastener heads stopped and all sheet joints paper-tape reinforced and stopped in accordance to EPB® Plasterboard Installation Guide



**Corner Pattern**



**Hold down Washer**



System Number	Lining Requirement	Min. Element Length (m)	BU/m		Minimum Panel Hold downs
			Wind	Earth-quake	
ECMPH	10mm EPB BraceSmart® on one side & 7mm D-D Plywood on the other	0.4	100	95	12kN
		0.8	115	110	
		1.2	130	120	

**FRAMING**

NZBC B1: Structure  
 NZBC B2: Durability

Steel framing dimensions and height as determined by Specific Engineering Design. C Section studs shall have a minimum thickness of 0.75mm and minimum nominal depth of 90mm and 35mm wide flanges.

**BOTTOM PLATE FIXING**

**Timber Floor** – 0.95BMT bracket and 5mm washer as shown below, fixed to timber floor using a 12mm x 100mm galvanised coach screw or 4 x 75mm Type 17 class 3 screws..

**Concrete Floor** – 0.95BMT bracket and 5mm washer as shown below, fixed to concrete slab using a proprietary concrete anchor with a minimum uplift capacity (as listed in table above) take into consideration concrete slab thickness (internal walls) and edge distance (external walls).

**PLASTERBOARD WALL LINING**

Refer Table at top of page  
 Vertical or horizontal fixing permitted. Use full height sheets where possible. Sheets shall be touch fitted

**FASTENERS (BOTH PLASTERBOARD & PLYWOOD)**

32mm x 6g Drywall Screws

**FASTENING CENTRES**

**Perimeter of bracing element:** as per the diagram below

**Centre of sheets:**

Vertical Fixing – Fasteners at 300mm centres at sheet joints in tapered sheet edges in the field of the bracing elements

Horizontal Fixing – Place single fasteners in the tapered edge where sheets cross studs.

Use daubs of adhesive at 300mm centres to intermediate studs in the body of the sheets.

Place fasteners 12mm from paper bound edges and 18mm from cut edges.

**FIXING OF PLYWOOD LINING**

Vertical sheet fixing only. within the bracing element place fasteners at 150mm centres along all sheet joints and at 300mm centres to intermediate framing. Plywood to comply with AS/NZS 2269.0:2012

**JOINTING**

All fastener heads stopped and all sheet joints paper-tape reinforced and stopped in accordance to EPB® Plasterboard Installation Guide

